

Miele

Operating and Installation Instructions



Wine Storage Unit KWT 1601 SF KWT 1611 SF

To prevent accidents
and appliance damage
read these instructions

before

installation or use.

en - US, CA

M.-Nr. 09 223 770

Contents

| | |
|--|----|
| IMPORTANT SAFETY INSTRUCTIONS | 4 |
| Guide to the wine storage unit | 7 |
| Before use | 9 |
| Before using for the first time | 9 |
| Turning the appliance On/Off | 9 |
| Settings | 10 |
| Using the settings | 10 |
| Custom settings | 11 |
| Turning the button sound On/Off | 12 |
| Turning off for longer periods of time | 13 |
| Alarm | 14 |
| Temperature alarm | 14 |
| Door alarm | 14 |
| Optimum temperature and air quality | 15 |
| Setting the temperature | 15 |
| Humidity | 19 |
| Storing wine | 21 |
| Wooden racks | 21 |
| Bottle display rack | 22 |
| Maximum capacity | 22 |
| Display lighting | 23 |
| Defrosting | 24 |
| Cleaning and care | 25 |
| Cleaning the interior | 26 |
| Appliance door | 26 |
| Ventilation slits | 26 |
| Door seals | 26 |
| Active charcoal filters | 27 |
| Changing the light bulbs | 27 |
| Frequently asked questions | 29 |
| After sales service | 32 |
| Caring for the environment | 34 |
| Installation | 35 |
| Installation site | 35 |
| Base | 36 |
| Furniture/fixtures | 36 |

Contents

| | |
|---|----|
| Installation options | 37 |
| Adjusting the door opening angle (optional accessory) | 38 |
| Dimensions | 39 |
| Installation | 42 |
| Before you begin | 42 |
| RemoteVision module installation | 44 |
| Home Security System (HSS) | 46 |
| Preparing the installation niche | 47 |
| Sliding the appliance into the installation niche | 50 |
| Aligning the appliance. | 51 |
| Attaching the appliance to the installation niche | 52 |
| Electrical connection | 55 |
| RemoteVision (optional accessory) | 56 |

IMPORTANT SAFETY INSTRUCTIONS

When using the appliance, follow basic safety precautions, including the following:

Read all instructions before installation and use to prevent accidents and machine damage.

This appliance is intended for residential use only. Use only as described in this Operating manual.

Only use the appliance for its intended purpose.

This appliance complies with current safety requirements. Improper use of the appliance can lead to personal injury and material damage.

Keep these operating instructions in a safe place and pass them on to any future user.

Warning: At an altitude of more than 8200 ft (2500 m) the glass door can break. Danger of injuries.

Electrical safety

▶ Before installation, make sure that the voltage and frequency listed on the data plate correspond with the household electrical supply. This data must correspond to prevent injury and machine damage. Consult a qualified electrician if in doubt.

▶ Before installation or service, disconnect the power supply to the work area by unplugging the unit, "tripping" the circuit breaker or removing the fuse.

▶ Do not use an extension cord to connect this appliance to electricity. Extension cords do not guarantee the required safety of the appliance (e.g., danger of overheating).

▶ Be certain your appliance is properly installed and grounded by a qualified technician. To guarantee the electrical safety of this appliance continuity must exist between the appliance and an effective grounding system. It is imperative that this basic safety requirement be met. If there is any doubt, have the electrical system of the house checked by a qualified electrician.

▶ Only connect power to the appliance when all installation work is complete.

IMPORTANT SAFETY INSTRUCTIONS

Installation

This appliance is top-heavy and must be secured to prevent the possibility of tipping forward. Keep the door closed until the appliance is completely installed and secured per installation instructions.

- ▶ This appliance must be installed and connected in compliance with the installation instructions.
- ▶ Installation and repair work should be performed by a Miele authorized service technician. Work by unqualified persons could be dangerous and may void the warranty.
- ▶ Do not operate any appliance with a damaged cord or plug, or if the appliance has been damaged in any manner. Contact Miele's Technical Service Department.
- ▶ This appliance must not be used in a non-stationary location (e.g. on a ship).
- ▶ Do not install the appliance in a room with too low an ambient temperature, e.g., a garage, as this may lead to the appliance switching off for longer periods so that it cannot maintain the required temperature.

Use

- ▶ This appliance is not designed for commercial use. It is intended for use in domestic households and in similar working and residential environments such as:
 - shops, offices and similar work environments
 - by customers in hotels, motels, Bed & Breakfasts or similar residential environments.
- ▶ This appliance is not intended for outdoor use.
- ▶ Persons who lack physical, sensory or mental abilities, or experience with the machine should not use it without supervision or instruction by a responsible person.
- ▶ To reduce the risk of injury, do not allow children to play in, on or near the appliance, especially in the door hinge area.
- ▶ Do not store or use gasoline or other flammable vapors and liquids in the vicinity of this or any other appliance.
- ▶ Do not use any oils or grease on the door seal, as these will cause the seal to deteriorate and become porous with time.
- ▶ Do not block the ventilation gaps in the plinth or the top of the appliance housing unit as this would impair the efficiency of the appliance, increase the electricity consumption and could cause damage to the appliance.

IMPORTANT SAFETY INSTRUCTIONS

▶ Never use a steam cleaner to clean the appliance. Pressurized steam could damage electrical components and cause a short circuit.

▶ Do not use any electrical equipment inside the appliance. Danger of injury.

Disposal of your old appliance

▶ Before disposing of an old appliance, first make the door latch or lock unusable.

▶ Take off the door.

▶ Leave the shelves in place so that children may not easily climb inside.

▶ Consult with your municipal policy on recycling.

▶ Be careful not to damage any part of the pipework while awaiting disposal by:

- puncturing the refrigerant channels in the evaporator.
- bending any pipework.
- scratching the surface coating.

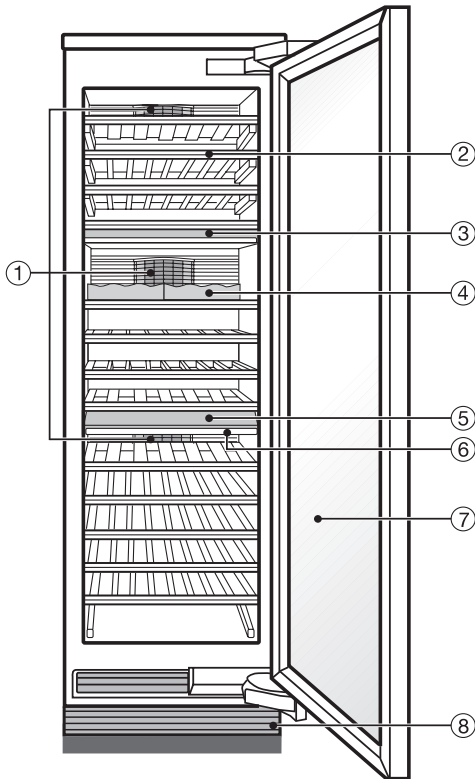
Splashes of refrigerant can damage the eyes.

▶ Your old refrigerator may have a cooling system that used CFCs (chlorofluorocarbons). CFCs are believed to harm stratospheric ozone.

If you intentionally release this CFC refrigerant, you can be subject to fines and imprisonment under provisions of environmental legislation. Make sure the CFC refrigerant is removed and disposed of by a qualified technician.

SAVE THESE INSTRUCTIONS

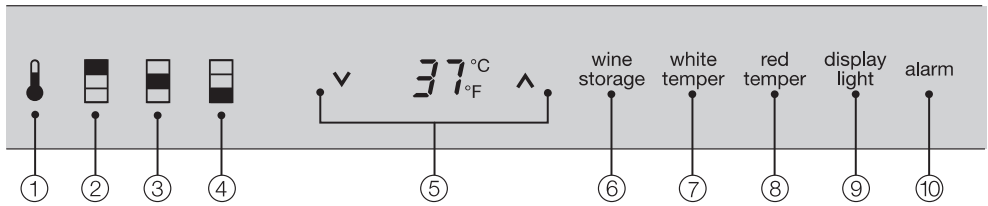
Guide to the wine storage unit



- ① Circulation fans / Active charcoal filter
- ② Wooden racks
- ③ Insulation panel to separate the upper and middle temperature zones
- ④ Bottle display rack
- ⑤ Control panel / Insulation panel to separate the middle and lower temperature zones
- ⑥ Main switch to turn the appliance On/Off
- ⑦ Glass door with UV filter
- ⑧ Connection (behind the ventilation gap) for the Home Security System (HSS)

Guide to the wine storage unit

Control panel



- ① Access button
- ② Upper temperature zone
- ③ Middle temperature zone
- ④ Lower temperature zone
- ⑤ Temperature display:
Allows you to set the temperature
(v colder; ^ warmer)
and
set the duration of the display
lighting
(v shorter; ^ longer)
- ⑥ Long-term wine storage
- ⑦ Short-term storage of white wine at a moderate temperature
- ⑧ Short-term storage of red wine at a moderate temperature
- ⑨ On/Off sensor button for the display lighting
- ⑩ Off sensor button for the temperature and/or door alarm*

* only visibly when the relevant function is activated

Before using for the first time

The stainless steel surface of the appliance is protected with a plastic film, which protects it during shipping.

Do not remove this protective film until the appliance has been completely installed.

After removing the protective film clean the exterior surface with the supplied stainless steel agent. This will aid in preventing resoiling.

- Clean the inside of the appliance and the accessories with a mild solution of warm water and liquid dish soap. Dry with a soft cloth.

If the appliance was transported or laid horizontally for any reason, allow it to stand vertical for at least 8 hours before turning it on. Failure to do so will affect the functioning of the appliance.

Turning the appliance On/Off

- Open the appliance door.



- Turn the appliance On/Off with the main switch.

The main switch is located on the right-side underneath the control panel.


All three zones are switched on or off together.



Once on, the appliance begins cooling. When the door is open, the interior lights come on.

The access button will light in the control panel.

The preset temperatures (factory settings) are reached after a few hours.

 Turning off the appliance with the main switch does not safely isolate it from the power supply.

Settings

Using the settings

This appliance is operated with the use of touch keys activated by a finger.

- An available button will appear white.
- A selected button will appear yellow..



- Touch the access button so it turns yellow.



On the control panel you will now see the sensor buttons of the three temperature zones.

The factory (default) settings for the temperature zones are as follows:

- upper temperature zone: red temper.
- middle temperature zone: white temper.
- lower temperature zone: wine storage.

display light

- To turn the display lighting on or off when the door is closed, touch the "display light" sensor button.



- To change the settings, touch the sensor button for the temperature zone you wish to set.

The selected sensor button appears yellow.

You can now select from the following settings for the selected zone(s) or change the pre-set temperature(s) as desired.

wine storage white temper red temper

For more information on setting the temperature see "Optimum temperature and air quality".

- To de-select a temperature zone touch the sensor button for that particular zone so that it turns white, or select another sensor button.



- To leave the settings menu, touch the access button "⏏" so it turns white. The last settings entered are stored.

The sensor buttons for the three temperature zones disappear from the control panel.

Even if you do not touch the access button, the electronics will switch back to normal after about 1 min.

Custom settings

In the custom settings mode you can select and change functions. The function possibilities are described in the respective chapters of this manual.

| Function | Display text |
|---|--------------|
| Temperature °C - °F | <i>t</i> |
| RemoteVision Module settings (optional accessory) | <i>r</i> |
| Button sound on/off | <i>b</i> |
| Exit Custom Settings mode | <i>c</i> |
| Humidity settings | <i>o</i> |

Settings

Turning the button sound On/Off

If you prefer the buttons to be silent when touched, the button sound can be turned off.



- Touch the access button "⌂" so it turns yellow.



- Touch the sensor button for any temperature zone so it turns yellow.
- Note the position of the √ button, but do not touch.
- Touch the access button "⌂" again so it turns white.

Only the access button "⌂" is visible.

- Place one finger on the position of the √ button and hold (the √ button will not be visible).

- While holding down the √ button, press the access button "⌂" once. Keep holding the √ button down until the following appears in the display (approx. 5 seconds).
- Tap the √ button until **b** appears in the display.
- Touch the access button "⌂" to confirm.
- By touching the √ button, you can choose between:
 - b 0** : Button sound is off
 - b 1** : Button sound is on
 - b -** : Return to menu.
- Touch the access button "⌂" to confirm the setting.
- Tap the √ button until you see **ε** in the display.



- Touch the access button "⌂".

You have now left the Custom settings mode.

When you are in the Custom settings mode the door alarm is turned off automatically. Once the door is closed it is reactivated.

Turning off for longer periods of time

If the appliance is not going to be used for an extended time (for example, during a vacation) some precautions should be taken.

- Turn the appliance off at the main switch
- Unplug the appliance
- Clean the interior
- Leave the doors open to prevent odors

Alarm

The appliance is equipped with an alarm system, to ensure that the temperature does not rise unnoticed because of energy loss or an open door.

The alarm system is always operational, it does not need to be turned on.

Temperature alarm

If the temperature becomes too warm, an alarm sounds, the "alarm" indicator turns red and flashes. At the same time the affected zone flashes in the display.

If you use the Home Security System, a temperature alarm will also trigger your security alarm. Once the temperature alarm is turned off, the security alarm will also shut off.

The alarm will sound and the display will flash if:

- too much warm air flows into the appliance, for example when bottles are being loaded, re-arranged, or unloaded.
- a large number of bottles are being stored for the first time.
- the power fails.

As soon as the alarm condition is corrected, the alarm signal turns off and the affected zone stops flashing in the display. The "alarm" indicator goes out.

Turning the temperature alarm Off



- **To turn the alarm off early**, press the "alarm" sensor button. The alarm signal turns off. The "alarm" indicator remains red and the corresponding appliance zone continues to flash until the alarm condition is corrected.

Door alarm

If the appliance door is left open for over 5 minutes, an alarm signal will sound and the "alarm" indicator will light up.

Once the door is shut again the alarm will stop and the 'alarm' indicator will go out.

Turning the door alarm Off



- **To turn the alarm off early**, press the "alarm" sensor button. The "alarm" indicator and signal will turn off.

Optimum temperature and air quality

Wine will continue to mature depending on the surrounding conditions. The length of time which wine can be kept in good condition will therefore depend not only on the temperature but also on the air quality.

The wine storage unit provides a constant temperature, increased humidity and an odor-free environment, creating the best possible storage conditions for your wine.

Temperature

Wine can be stored at temperatures between 41°F and 64°F (5 - 18°C). If you would like to store red and white wines together, choose a temperature between 50°F and 54°F (10 - 12 °C). Most white wines are palatable at this temperature. It is best to take red wine out of the appliance about 2 hours before drinking. Open the wine to allow it to breathe and to develop its aroma. After 2 hours, red wine will be at the correct temperature for drinking.

Storage temperatures above 72°F (22°C) will cause wines to mature too quickly. By contrast, wine should not be stored below 41°F (5°C), since it will not mature fully at this low temperature.

Fluctuations in temperature put wine under stress and interrupt the maturing process. Therefore, it is important to maintain a constant temperature.

Setting the temperature

The factory (default) settings for the temperature zones are as follows:

The upper temperature zone is set for optimal red-wine storage:
Red temper 61°F (16°C)

The middle temperature zone is set for optimal white-wine storage:
White temper 50°F (10°C)

The lower temperature zone is intended for wine storage in general.
Wine storage 52°F (11°C)

You can change the "purpose" of the zones as you wish.

For example, you can store white wine in the upper temperature zone, as long as you adjust the temperature accordingly:



- Tap the sensor button for the desired temperature zone, so that it turns yellow.

wine storage white temper red temper

- Select the preferred temperature setting so that the sensor button turns yellow.

The setting "white temper" is not available in the lower temperature zone.

Optimum temperature and air quality

Temperatures can be independently set in all three zones.

The unit comes factory pre-set for white wine, red wine, and wine storage.

The temperatures can be changed as desired.



- Select the temperature zone you would like to change the temperature in.



Use the ∇ and ∧ buttons next to the temperature display to set the temperature warmer or colder.

- The temperature will change in 1° increments.
- Hold the button down to change the value continuously.
- When the lowest or highest temperature is reached the corresponding arrow will no longer appear in the display.

The factory-suggested temperature for the selected zone appears in yellow.

Once you have adjusted the temperature, check the temperature after a few hours. It will take this long for the appliance to reach the temperature. If, after this time, the temperature is still too high or too low, it should be adjusted again.

Temperature ranges

- upper temperature zone
3°C to 18°C or
37°F to 64°F.
- middle temperature zone
3°C to 18°C or
37°F to 64°F.
- lower temperature zone
8°C to 18°C or
46°C to 64°F.

Optimum temperature and air quality

Insulation panels for thermal separation

The unit has two fixed insulation panels, to divide the interior into the three different temperature zones. This allows you to store three different types of wine, such as red wine, white wine and champagne.

The correct serving temperature is crucial for the taste and therefore your enjoyment of the wine.

The following temperatures are recommended for the different types of wine:

| | |
|-----------------|----------------------------------|
| Red wine: | 57°F to 64°F (14 °C to 18°C) |
| Rosé: | 50°F to 54°F (10 °C to 12 °C) |
| White wine: | 46°F to 54°F (8 °C to 12 °C) |
| Sparkling wine: | 45°F to 48°F (7 °C to 9 °C) |
| Champagne: | 41°F to 45°F (5 °C to 7 °C) |

Temperature display

The temperature display on the control panel always shows the **required** temperature.

The **temperature display will flash** if the temperature in one of the zones is too high or too cold.

Tap the ∨ and ∧ sensor buttons to raise/lower the temperature 1°, or hold them down to move through the temperature range more quickly.

Optimum temperature and air quality

Temperature unit (Fahrenheit/Celsius)

The temperature can be displayed in degrees Fahrenheit (°F) or Celsius (°C).



- Touch the access button "⏏" so it turns yellow.



- Touch the sensor button for any temperature zone, so that it turns yellow.
- Note the position of the ∨ button, but do not touch.
- Touch the access button "⏏" again so it turns white.

Only the access button "⏏" is visible.

- Place one finger on the position of the ∨ button and hold (the ∨ button will not be visible).

- While holding down the ∨ button, press the access button "⏏" once. Keep holding the ∨ button down until the following appears in the display (approx. 5 seconds).



- Tap the ∨ button until $^{\circ}\text{F}$ appears in the display.
- Touch the access button "⏏" to confirm.
- By touching the ∨ button you can select either Fahrenheit or Celsius for the temperature display.
 $^{\circ}\text{F}$: Fahrenheit
 $^{\circ}\text{C}$: Celsius
 $-$: return to menu
- Touch the access button "⏏" to confirm the setting.
- Tap the ∨ button until a $^{\circ}\text{C}$ appears in the display.



- Touch the access button "⏏".

You have left the Custom settings mode.

When you are in the Custom settings mode the door alarm is turned off automatically. Once the door is closed it is reactivated.

Optimum temperature and air quality

Humidity

In a conventional refrigerator, the humidity levels are too low for storing wines. High humidity levels (60 - 70 %) are very important for the storage of wine, so that the corks remain moist. Under low humidity, the corks dry out from the outside and can no longer seal the bottles properly. This is why wine bottles should always be stored lying down, so that the wine can keep the corks moistened from within. If air enters the bottle, a wine will inevitably spoil.

Tip: Wine bottles should stand upright for at least two hours before serving, or, better still whole day long, to enable sediment to settle to the bottom of the bottle.

Setting the humidity level

The unit comes factory pre-set to high humidity.

If you would like to use the wine unit for long-term storage, it is recommended that you select the higher humidity. The interior climate will then correspond with the conditions in a wine cellar.

Humidity is raised or lowered for all temperature zones simultaneously.



- Touch the access button "🔑" so it turns yellow.



- Tap the sensor button for any temperature zone so it turns yellow.
- Note the position of the √ button, but do not touch.
- Touch the access button "🔑" again so it turns white.

Only the access button "🔑" is visible.

- Place one finger on the position of the √ button and hold (the √ button will not be visible).

Optimum temperature and air quality

- While holding down the ∨ button, press the access button "🔑" once. Keep holding the ∨ button down until the following appears in the display (approx. 5 seconds).



- Tap the ∨ button until ⊞ appears in the display.
- Touch the access button "🔑" to confirm.
- By touching the ∨ button you can either increase or decrease the humidity inside the unit.
⊞ ⊞: lower humidity
⊞ 1: higher humidity
⊞ -: return to menu.
- Touch the access button "🔑" to confirm the setting.
- Tap the ∨ button until a ⊞ appears in the display.



- Touch the access button "🔑".

You have left the Custom settings mode.

When you are in the Custom settings mode the door alarm is turned off automatically. Once the door is closed it is reactivated.

If you have selected a higher humidity setting, the fans will cut in. This is to ensure that the humidity is uniformly distributed throughout the interior. Whenever the unit door is opened, the fans will automatically switch off temporarily.

Air filtering with an active charcoal filter

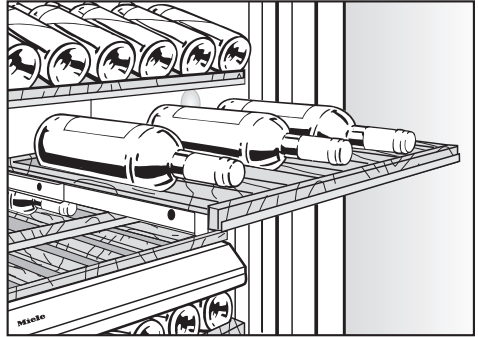
External air passes through the filter before entering the unit. The active charcoal filter ensures that only clean, odor-free air enters the unit, creating additional protection against odor contamination.

The filter will need to be changed periodically, or when odors are present in the unit. See "Cleaning and Care - Active charcoal filter" for more information.

Storage tips

- Always unpack bottles – do not store wine in crates or boxes.
- Always lay bottles on their side for storage. This keeps the corks moist from the inside, preventing air from entering.
- Store similar wine varieties beside each other on the same shelf, to avoid restacking and the need to disturbed other bottles.
- Before serving, rosé and red wine bottles should spend at least two hours upright and open, to reach optimal drinking temperature. Sparkling wine and champagnes should be chilled briefly in the refrigerator before serving.
- Remember that wine should always be cooled to slightly lower than the ideal serving temperature, as the temperature increases by 1° to 2° as soon as it is poured into a glass.

Wooden racks



For convenient removal and addition of bottles, the wooden racks can be pulled out on rails.

The wooden racks can also be completely removed.

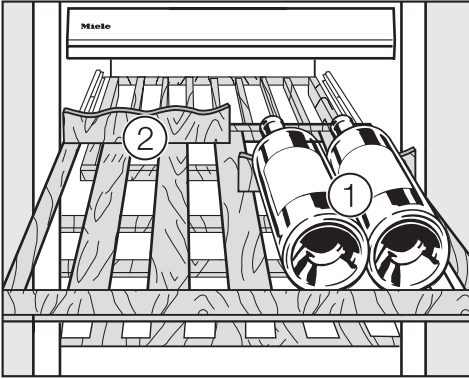
- Pull out the empty wooden rack (along with the rails) as far as the stop, then lift it up and out.
- To replace the racks, set them on the extended rails so that they click into place.

Be sure that the ventilation slits at the rear of the unit are not blocked. They are essential for the unit to operate properly.

Storing wine

Bottle display rack

The display rack, allows you to display selected bottles so they can be seen even with the door closed.



- Lay the wine bottles in the display rack, so that they touch the wooden guide-rail ①.
- To remove the display rack pull it up and out, then attach it to the rear position on the wooden rack ②. The bottles can now be stored on the wooden rack in the usual manner.

Additional display racks are available from Miele.

The display rack can only be attached to wooden racks with wide cross-ties. In the upper temperature zone, these are found in the lower position. In the lower temperature zones, they are found in both the upper and lower position.

It is recommended that the wooden racks always be left in the pre-set positions. This makes optimal use of the interior space.

Never stack bottles on the wooden racks. Only the bottom-most level in each temperature zone can support a stack of bottles (remove the wooden rack).

Maximum capacity

The unit can hold approx. 102 bottles (0.75 l).

Display lighting

The display lighting can be turned on if you wish the bottles to be lit up even when the door is closed.

Turning on



- Touch the access button "💡" so it turns yellow.

display
light

- Touch the "Display light" sensor button so that it turns yellow.

The display lighting will now remain on in the 2 lower temperature zones, even when the door is closed. When the door is open, the interior lighting also comes on in all three temperature zones.

Turning off

- Touch the "Display light" sensor button so that it turns white.

The display lighting is now turned off. When the door is closed, the interior is dark, and when the door is opened the interior lighting comes on.

Duration of the display lighting

The display lighting is factory pre-set to 30 minutes.

display
light

- To change this time setting, press and hold the "Display light" sensor button for 2 seconds.

The set time (in minutes) appears in the display:

15 ^

Use the ∨ and ^ buttons next to the display to change the duration of the lighting in increments of 15 minutes.

You can set the lighting to last for 15, 30, 45, 60, 75 or 90 minutes.

- To confirm the setting touch the access button "💡" until all the displays go out.

If the door is closed before the set time is completed, the lighting duration starts over again from the beginning.

Defrosting

During normal operation, condensate and frost can form on the rear wall of the refrigerator and drawers.

You do not need to remove this build-up, it will defrost and evaporate automatically with the heat generated by the appliance.

To reduce the risk of electrical shock, disconnect the appliance from the power supply by shutting off the power main, tripping the circuit breaker or unplugging the power cord before maintenance.

Never use cleaning agents containing abrasive substances such as sand, soda, acids, chlorides or chemical solvents.

Non-abrasive cleaning agents are also unsuitable, as they can cause matte areas to appear.

Avoid getting water on the solid wood facing or the shelves.

Stainless steel surfaces can be cleaned using a non-abrasive stainless steel cleaner (available from Miele).

Do not use a steam cleaner to clean this appliance. Pressurized steam could penetrate electrical components and cause a short circuit.

Do not allow water to get into the electronic unit or lights.

The data plate located inside the appliance must not be removed. It contains information which is required in the event of a service call.

To better maintain your appliance avoid the following:

- cleaners containing soda, ammonia, thinners, or chlorides
- cleaners containing descaling agents or lime removers,
- abrasive cleaners,
- dishwasher soap (powder),
- caustic (oven) cleaners,
- scouring pads, steel wool, hard brushes,
- glass cleaners (with the exception of the glass door front),
- metal scrapers,
- eraser sponges,
- steam cleaning products.

Glass cleaners may be used to clean the exterior. However **do not** allow them to sit or "puddle", this can cause damage to the surface.
Remove the cleaner promptly.

Cleaning and care

Before cleaning



- Use the main switch to turn the appliance off completely.

The main switch is located on the right side underneath the control panel.

- Unplug the power cord.
- Remove any bottles from the appliance and store it in a cool place.
- Take out any removable parts, e.g., shelves.

Cleaning the interior

- It is recommended to clean the interior once a month.
- Use a mild solution of warm water and liquid dish soap.
- Clean the wooden racks with a damp cloth. **Do not allow the racks to become too wet.**
- After washing, wipe down the interior and accessories with a clean wet cloth, then dry with a soft cloth. Leave the appliance doors open for a short time, so the moisture can evaporate.

Appliance door

- Stainless steel surfaces can be cleaned using a non-abrasive stainless steel cleaner.
- To help prevent resoiling, a conditioner for stainless steel can also be used. Apply sparingly with even pressure.

Ventilation slits

- Check the ventilation slits regularly. Remove any dirt/dust with a vacuum cleaner or brush. Clean as needed.

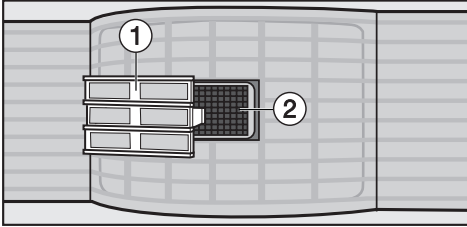
Door seals

Do not use any oils or grease on the door seals as these will cause the seals to deteriorate and become porous over time.

- Clean the door seal with water only and dry thoroughly.

Active charcoal filters

Replacement filters are available from Miele.



- Remove the cover ① over the filter, use a screwdriver if necessary.
- Remove the old filter ② and replace with a new active charcoal filter.
- Replace the cover ① over the new filter.

After cleaning

- Return all bottles to the appliance.
- Insert the plug into the power outlet and turn on the appliance at the main switch.

Changing the light bulbs

Do not remove the light covers for the display lighting. Should the lighting covers be damaged or need to be removed due to damage, do not look directly or with an optical instrument at the lighting.

Interior lighting:

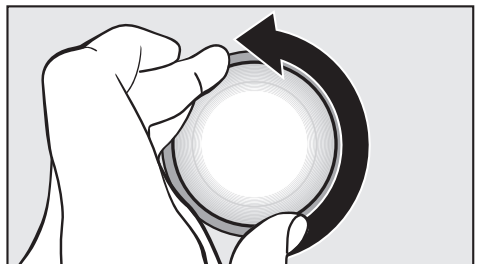
The lighting automatically switches off after the door has been open for approx. 5 minutes. This is not a fault.

After the bulb has cooled for a short time it will turn on again.

If the light does not come on when the door is opened briefly, the light bulb should be changed.

- Use the main switch to turn the appliance off.

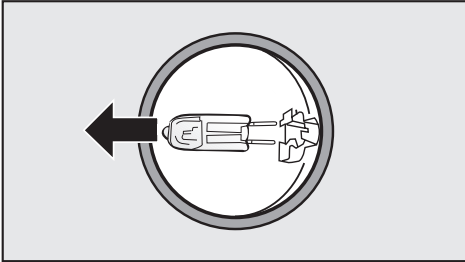
To reduce the risk of electric shock, disconnect the appliance from the power supply by unplugging or tripping the circuit breaker.



- Turn the light cover counterclockwise and pull out.

Cleaning and care

Never touch a halogen bulb with bare fingers.
When inserting a glass halogen bulb, always hold with a soft cloth.



- Pull the defective light bulb from the socket.
- Place the new bulb in the socket.
Halogen bulb type:
5 W/12 V/socket G 4.
- Put the light cover back on and turn clockwise into place.

Restore power to the appliance.

Frequently asked questions

With the aid of the following guide minor problems can be corrected without a service call.

Repairs should only be carried out by a qualified and trained person in strict accordance with local and national safety regulations. Unauthorized repairs could cause personal injury or machine damage and may void the warranty.

What if the appliance does not get cold?

| Possible fault | Solution |
|--------------------------------------|--|
| The machine is not turned on. | Check whether the appliance is switched on at the main switch. |
| The machine is not plugged in. | Check that the plug is correctly inserted in the power outlet. |
| Check that the fuse has not tripped. | Reset the circuit breaker. If the breaker trips again the appliance or the outlet may be defective. Contact Miele or a qualified electrician. |
| The temperature is set incorrectly. | Check the display. |

What if the temperature is too low?

| | |
|---|---|
| Select a warmer temperature. | See "Setting the temperature". |
| The door is not closed. | Check that the door has been closed properly. |
| A large amount of bottles has been put in the appliance at the same time. | This makes the compressor run for longer, causing the temperature in the appliance to fall automatically. |

What if the compressor kicks on very frequently and for too long?

| | |
|---|---|
| The ventilation slits in the plinth and in the top of the appliance are covered or dusty. | Clean with a vacuum or brush. |
| The door has been opened too frequently. | Once the appliance returns to the set temperature the compressor will turn off. |
| The door is not closed. | Check that the door has been closed properly. |

Frequently asked questions

| What if the alarm is ringing? | |
|---|--|
| Possible fault | Solution |
| The appliance door has been open for longer than 5 minutes. | Close the door. |
| What if the alarm is ringing and the "alarm" indicator is lit? | |
| The door is not closed. | One of these conditions has caused the temperature in the appliance to become too warm. |
| The ventilation slits are covered. | |
| A large amount of wine was stored at once. | Once the alarm condition has been corrected, the alarm will turn off and the "alarm" indicator will stop flashing. |
| There has been a power failure. | |
| What if a fault message with "_F" appears in the temperature display? | |
| A fault has occurred. Contact Miele Technical Service. | |
| What if the display lighting is not working? | |
| The display lighting turns off automatically depending on the time set. See "Display lighting". | If the display lighting still does not turn on after 15 minutes with the door closed, contact Miele Technical Service. |
| A white coating has formed around the wine corks. | |
| The corks are made of a material which has caused a chemical reaction (oxidation). | The white coating can be removed with a dry cloth. The coating has no effect on the quality of the wine. |
| Mildew is beginning to form on the wine bottle labels. | |
| Depending on the type of adhesive used mildew may begin to form on the labels. | Wash the wine bottles and remove any adhesive residue. |

Frequently asked questions

| The appliance is making noises. | | |
|--|---|---|
| Issue | Possible fault | Solution |
| Brrrrr... | Humming noise made by the compressor. This noise can get louder for brief periods when the motor is switching on. | <p>These noises are not a fault.</p> <p>The noise of the compressor and the coolant circulating in the system is unavoidable.</p> |
| Blubb, blubb... | A gurgling noise can be heard when coolant is circulating through the pipes. | |
| Click... | Clicking sounds are made when the thermostat switches the compressor on and off. | |
| Sssrrrrr... | On multi-zone and frost-free appliances you can sometimes just hear the movement of air circulating inside the appliance. | |
| Creaking | Creaking sounds can be heard when material inside the appliance expands. | |
| Rattling, vibrating | The appliance is uneven. | Realign the appliance using a level, by raising or lowering the screw feet underneath the appliance. |
| | The appliance is touching another appliance or piece of furniture. | Move it away. |
| | Drawers, baskets or shelves are unstable or sticking. | Check all removable items and refit them correctly. |
| | Bottles or containers are unstable or knocking against each other. | Separate them. |
| | The transport cable clips are hanging loose at the back of the appliance. | Remove the clips. |

After sales service

In the event of a fault which you cannot easily fix yourself, please contact the Miele Technical Service Department at the address on the back of this booklet.

When contacting the Technical Service department, please quote the model and serial number of your appliance given on the data plate inside the appliance.

MieleCare

(USA only)

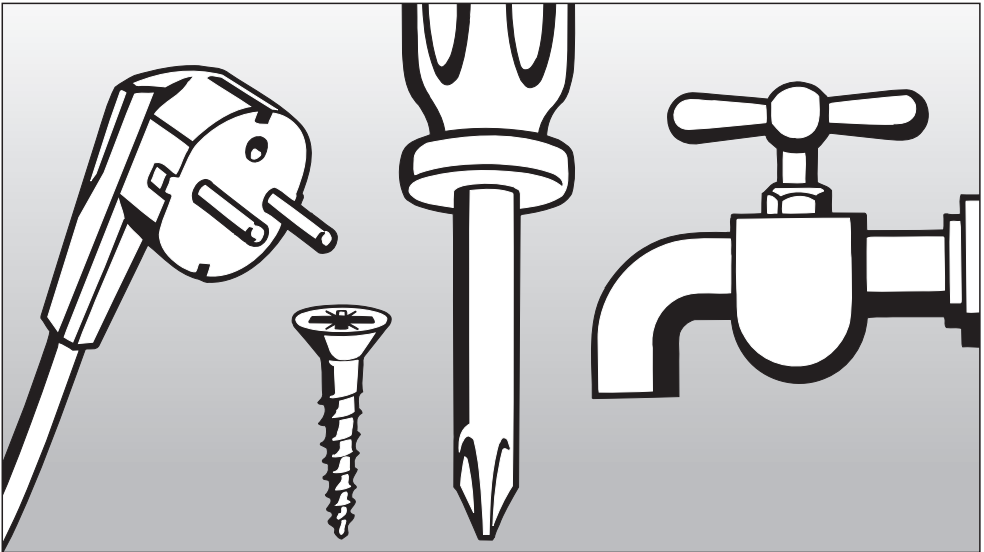
MieleCare, our Extended Service Contract program; gives you the assurance of knowing that your appliance investment is covered by 5 years of worry-free ownership.

MieleCare is the only Extended Service Contract in the industry that guarantees repairs by a Miele Authorized Service Provider using genuine Miele parts. Only genuine Miele parts installed by factory-trained professionals can guarantee the safety, reliability and longevity of your Miele appliance.

Please note that unless expressly approved in writing by the Miele Service department, Extended Service Contracts offered by other providers for Miele products will not be recognized by Miele. Our goal is to prevent unauthorized (and untrained) service personnel from working on your Miele products, possibly doing further damage to them, you and/or your home.

To learn more about **MieleCare** Extended Service Contracts, please contact your appliance dealer or visit us online at:

<http://mieleusa.com/mielecare>



Installation instructions

Information is subject to change. Please refer to our website to obtain the most current product specification, technical & warranty information.

To prevent accidents
and machine damage
read these instructions

before
installation or use.

Caring for the environment

Disposal of packing materials


The cardboard box and packing materials are biodegradable and recyclable. Please recycle.

Ensure that any plastic wrappings, bags, etc., are disposed of safely and kept out of the reach of babies and young children. Danger of suffocation!


Disposal of an old appliance

Old appliances contain materials that can be recycled. Please contact your local recycling center about the possibility of recycling these materials.

Before discarding an old appliance, disconnect it from the electrical supply and cut off the power cord to prevent it from becoming a hazard.

 In areas with a tropical climate (over 100°F/38°C and more than 70% air humidity) the wine cooler must only be operated in air conditioned locations. Otherwise the function of the machine cannot be guaranteed.

Have the appliance installed by a qualified technician, according to the enclosed installation instructions.

 **WARNING**
This appliance is top-heavy and must be secured to prevent the possibility of tipping forward. Anti-tip protection is required. Keep the door closed until the appliance is completely installed and secured as per the installation instructions.

Empty weight of your machine:

KWT 16X1 SF 375 lbs (170 kg)

Installation site

The appliance should be installed in a dry, well ventilated room.

- Do not install the appliance:
- outdoors,
 - in an environment with dripping water,
 - in rooms which are at risk of frost.

The installation location should not be exposed to direct sunlight, nor near a heat source, such as an oven, radiator, etc.

The ambient temperature should not drop below 55 °F (13 °C) or rise above 110 °F (43 °C), otherwise malfunctions may occur.

If installation next to a heat source is unavoidable, observe the following minimum distances from the heat source:

- 1 1/4" (3 cm) from an electric cooktop or electric oven.
- 12" (30 cm) from a gas or oil cooktop, range or oven.

Installation

Base

A fully loaded appliance is very heavy. The load-bearing capacity of your floor must meet the following requirements:

KWT 16x1 SF 741 lbs (336 kg)

To ensure that the appliance is installed securely and functions properly, the base must be flat, level and made of a hard, rigid material.

If in doubt, contact Miele.

Furniture/fixtures

The new appliance will be mounted securely to adjacent and overhead furniture/fixtures.

For this reason it is essential that all attachable furniture/fixtures are connected securely to the base or the wall by suitable means.

Ventilation

The air intake and outlet must not be blocked or covered in any way. They also need to be dusted/cleaned on a regular basis.

Installation niche

To ensure safe, trouble-free installation and the best possible cosmetic result, check to be sure that the installation space complies with the installation dimensions. See "Niche dimensions".

The side walls of the installation cavity must be plumb.

The minimum thickness of the side walls and the top wall must be 5/8" (16 mm).

The minimum thickness of the toe-kick panel must be 1/2" (13 mm). A thickness of 3/4" (19 mm) is recommended.

Installation options

There are many different installation options. You are limited only by the design of the kitchen.

The door hinge cannot be exchanged.

Single column

The appliance can be installed at any preferred location in the kitchen.

However, be sure the door will open and close properly in the chosen location.

Side-by-side

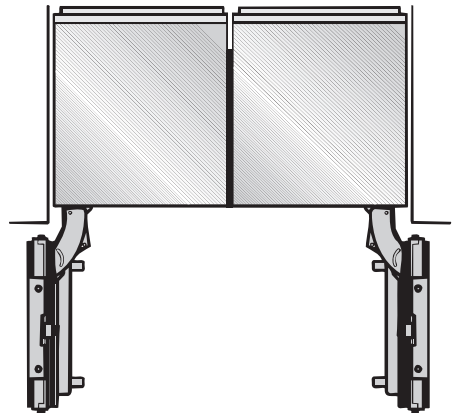
This appliance can be installed "side-by-side" with another fridge/freezer using a "Merging Kit".

The "Merging Kit" is available from Miele.

Contact Miele or your dealer for specific information about which combinations will work with your appliance.

For instructions on how to attach the appliances and install the heating mat, please refer to the instructions included with the "Merging Kit", available from Miele.

Appliances attached together using the "Merging Kit"

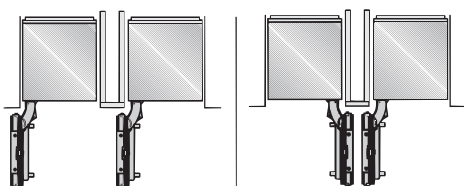
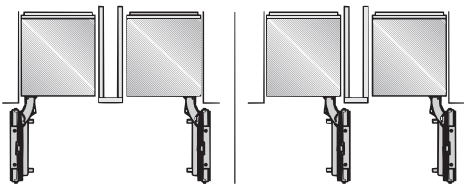


If the appliances are installed directly next to each other (without a partition), they need to be attached together using the "Merging Kit".

Installation

Installation with partition using the "Merging Kit"

The minimum thickness of the partition is $\frac{5}{8}$ " (16 mm).



If there is a partition with a thickness **from $\frac{5}{8}$ " (16 mm) to $6 \frac{5}{16}$ " (160 mm)** between the adjacent appliances, then each appliance should be individually installed within its own niche using the mounting accessories included. The "Merging Kit" will also be needed.

The "Merging Kit" is available from Miele.

Installation with partition without using the "Merging Kit"

If there is a partition with a thickness of **more than $6 \frac{5}{16}$ " (160 mm)** between the adjacent appliances, then each appliance should be individually installed within its own niche using the mounting accessories included (the "Merging Kit" is not necessary).

Side panels

If one side of the appliance is visible, a side panel must be used.

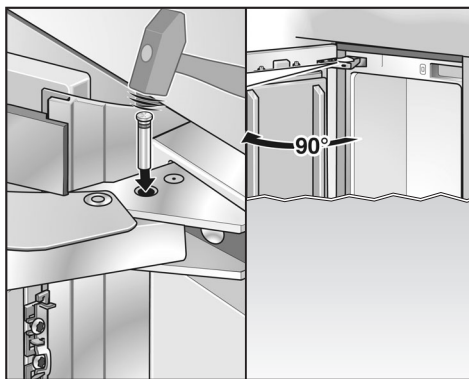
The side panel must be firmly secured to the wall, the floor and the overhead furniture/fixtures before the appliance is placed in the cavity.

The dimensions of the side panel are taken from the opposite wall of the installation space. During installation, ensure that the cavity is square and the measurements are correct.

Adjusting the door opening angle (optional accessory)

Depending on the installation site, it may be necessary to adjust the door opening angle to 90°.

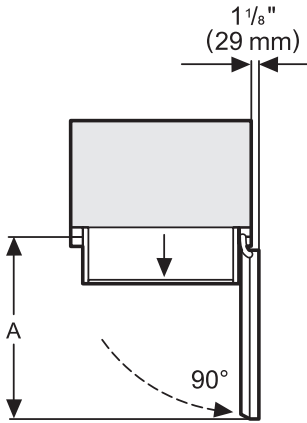
- Open the door.



- Insert the banking pin through the holes and drive in with a hammer.

The door opening angle is now limited to 90°.

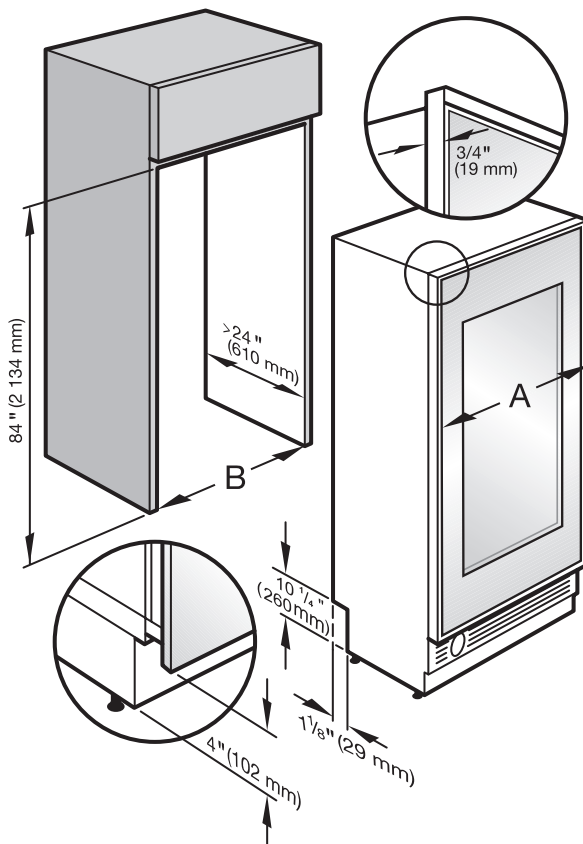
Door dimensions (open min. 90°)



| | A |
|--------------------|------------------|
| KWT 16X1 SF | 26 5/8" (677 mm) |

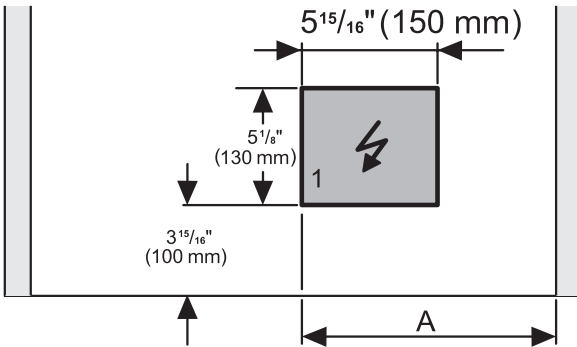
Dimensions

Niche dimensions



| | A | B |
|--------------------|--------------------|--------------|
| KWT 16x1 SF | 24 1/2" (622.2 mm) | 24" (610 mm) |

Power supply



1. Power supply

| | A |
|--------------------|--------------|
| KWT 16X1 SF | 12" (305 mm) |

Installation

Before you begin

Read these instructions completely and carefully.
Have the appliance installed by a qualified technician, according to the enclosed installation instructions.

To reduce the risk of injury or damage to the product, two people should be used for installation.

These installation instructions are intended for use by qualified installers. In addition to these instructions, the appliance must be installed in accordance with all local codes. In the absence of a local code, the following should be used:

- In the USA, the National Electric Code, ANSI/NFPA 70 - latest edition/State and Municipal codes and/or local codes.
- In Canada, the Canadian Electric code C22.1 - latest edition/Provincial and Municipal codes and/or local codes.

Tools needed for installation

- Cordless screwdriver
- Torx screwdriver
- Hammer drill
- Wood drills in different sizes
- Hammer
- ratchet 5/16" (8 mm)
- Adhesive tape
- Multi-grip pliers

- Level
- Tape measure
- Square

When fastening the cabinet to the wall behind it (see "Installing the appliance") use:

- suitable plugs/screws depending on the type of wall.
- several mounting brackets, if required.

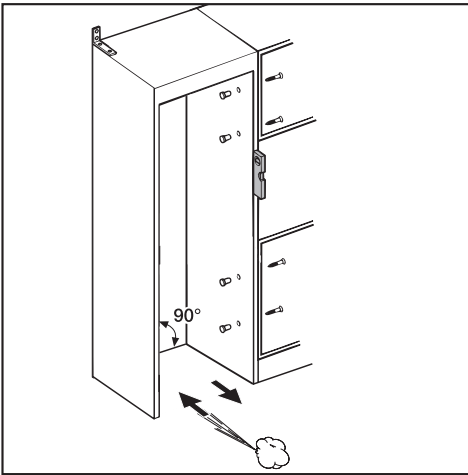
Other

- Stepladder
- Dolly, hand truck
- Wooden beam (cross section min. 3" x 4" [75 mm x 100 mm] as an alternative tilt protection, length depends on the width of the installation cavity)
- Wood screws in different sizes

Optional accessories

- "Merging Kit" for side-by-side installation
- RemoteVision module for wireless installation

Aligning the housing unit



The housing unit must be carefully aligned using a spirit level before installing the appliance. The unit corners must be at right angles, as otherwise the furniture door will not align correctly with the 4 corners of the appliance.


- The side panels of the housing must be even.
- The housing unit panels must be at least 5/8" (16 mm) thick.
- The plinth facing must be at least 1/2" (13 mm) thick, preferably 3/4" (19 mm).

Check the installation niche

To ensure a safe, trouble-free installation and the best possible cosmetic result, check to be sure that the installation space complies with the installation requirements.

- Check the base (see "Installation").
- Check the dimensions of the cavity.
- Check that the cavity is square.
- Check the location of the power outlet.
- Check that all furniture parts in the vicinity of the appliance are securely connected to the wall.
- Check that the adjacent furniture/fixtures do not collide with the open door.

Before installation

 Caution - the appliance is very heavy. Use caution when unpacking and opening the door, danger of tipping.

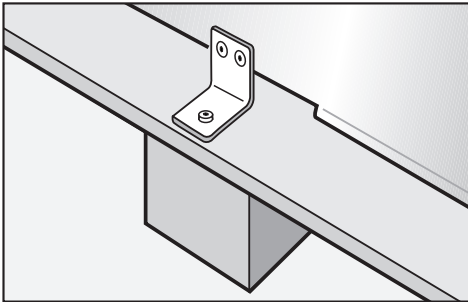
- To protect the base from damage during installation, attach a hard board, linoleum, etc., to the floor in front of the intended installation location.
- Remove any cable clips from the back of the appliance.
- Take the supplied accessories out of the protective packaging.

Installation


There are transportation safety devices inside the appliance to protect the shelves until installation is complete. **Do not remove them**, or parts may be damaged.

- Check the appliance for damage in transit.

Do not install the appliance if it is visibly damaged. If in doubt, contact Miele.



- Loosen the bracket that holds the appliance to the pallet.

 **Caution!** The appliance is no longer secured and may be unstable.

- From the rear of the appliance carefully lift it from the pallet.

Once the appliance is on the ground it can be rolled around.

RemoteVision module installation

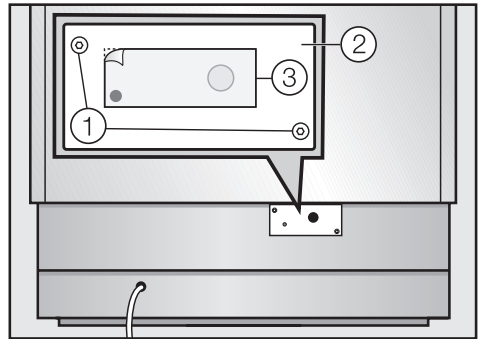
(optional accessory)

Always disconnect the appliance from the power supply when performing installation, maintenance or service work.

Install the RemoteVision module before placing the appliance in its installation niche.

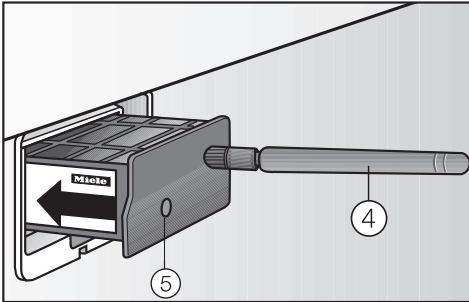
Once connected the RemoteVision module will increase the energy consumption of the appliance.

The slot for the RemoteVision module is located in the lower area of the back of your appliance.



- Unscrew the screws ① on the cover ② and pull off the sticker ③.

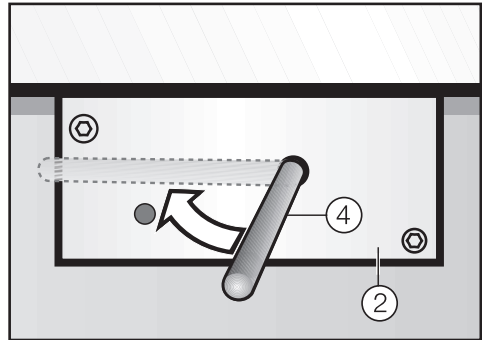
- Remove the cover ②.



- Push the module into the slot until it locks into place.
- Connect the appliance to the power supply and turn it on. After several seconds the indicator light (5) will come on.

The indicator light will display different colors one after the other; any control light at the end indicates that the module was correctly installed.

If the indicator light does not come on, installation of the module was unsuccessful. In that case, repeat the process. If that does not correct the problem, contact Miele.



- Pull the antenna (4) straight out.
- Guide the cover (2) over the antenna (4) and screw on the cover.
- Angle the antenna (4) so that it faces to the right or left.
- If necessary, disconnect the power supply and continue installing the appliance.

If you would like to connect your appliance to the Home Security System, proceed now (see "Home Security System").

Installation

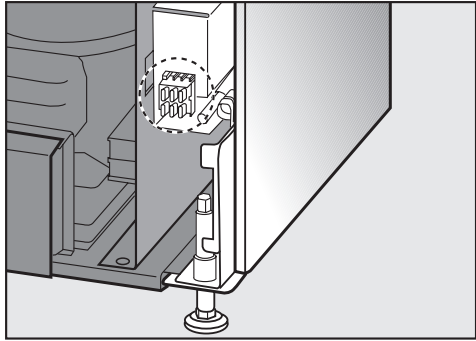
Home Security System (HSS)

If desired, the wine storage unit can be connected to the security system of your house, via a switching contact. If connected, you will be immediately informed of rising temperatures in the wine cooler.

The Home security system connection must be hooked up before the unit is installed.

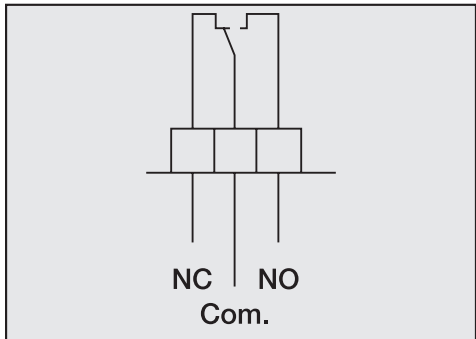
Contact a qualified electrician or authorized agent from alarm company to connect your home's security system to the wine cellar.

Always disconnect the appliance from the power supply before performing installation, maintenance or service work.



- Choose the desired switching contact and connect according to alarm system requirements.

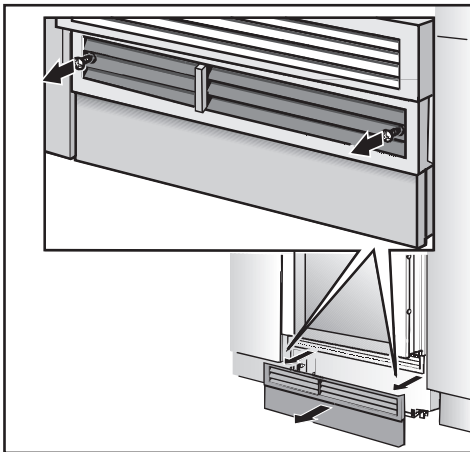
Output of the Home Security System on the electronic board:



- NC: normally closed
- Com: common
- NO: normally open


Switching capacity: 120 V/250mA
30 V/1A

- Continue with the appliance installation.



- Remove the toe-kick panel from the appliance.

Preparing the installation niche

 Keep the appliance door closed until it is securely fastened in the niche. Tipping hazard.

Because of the size and weight of the appliance, it is essential to ensure that the appliance cannot tip over once it has been mounted in the niche.

Mounting Accessories

The mounting accessories needed for installing the appliance into the niche are included in the packaging. Several plastic bags are included which are numbered alphabetically.

The bag needed for each step will be marked with its respective letter.

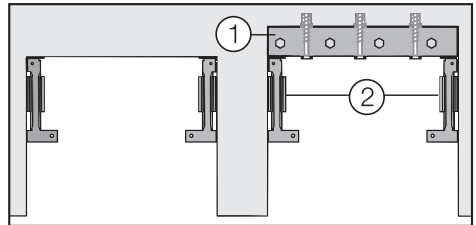


- Use the included Torx screwdriver to tighten the screws.

Anti-tip-brackets

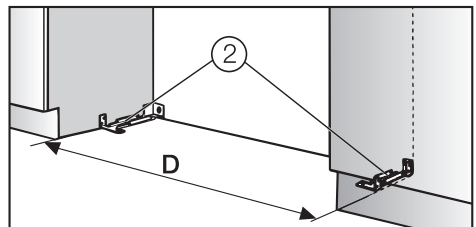
The anti-tip brackets help keep the appliance safely secured to the installation niche to prevent tipping.

Two anti-tip brackets are recommended for each appliance or appliance combination (side-by-side).



If the installation niche is deeper than the appliance, a solid wooden beam ① can be placed behind the anti-tip brackets ② so the appliance can be securely attached to the base or wall.

The length of the wooden beam ① should be the width of the installation space.



The distance "D" between the anti-tip brackets ② is the width of the appliance.



- Position the anti-tip brackets ② on the left and right walls of the appliance niche.

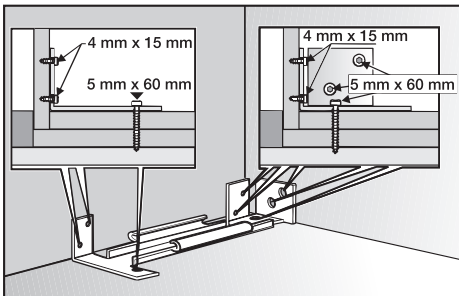
Installation

- Mark the holes through the anti-tip brackets ② on the floor of the installation niche.
- Set the brackets aside.

Screws are supplied with the appliance for various applications/materials.

If the anti-tip brackets cannot be attached securely with the screws supplied, an alternative anti-tip device can be used.

Assure that there are no electrical wires or plumbing in the area which the screws could penetrate-risk of injury and damage.



- Drill pilot holes:
 - 1/8" (3 mm) for the 5 x 60 mm wood screws
 - 1/16" (2 mm) for the 4 x 15 mm wood screws.

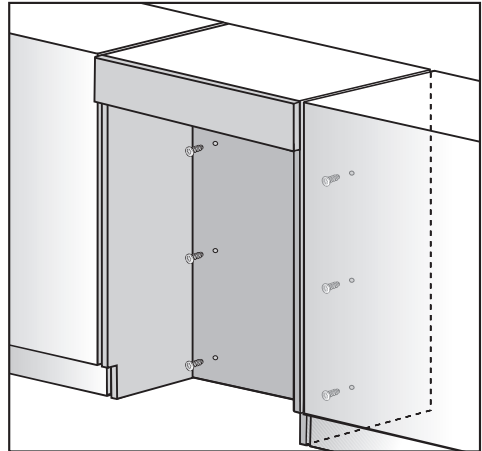


- Tightly secure the anti-tip brackets in the niche.

Be certain that the screws penetrate through the flooring and into the wall plate a minimum of $3/4$ " (19 mm).

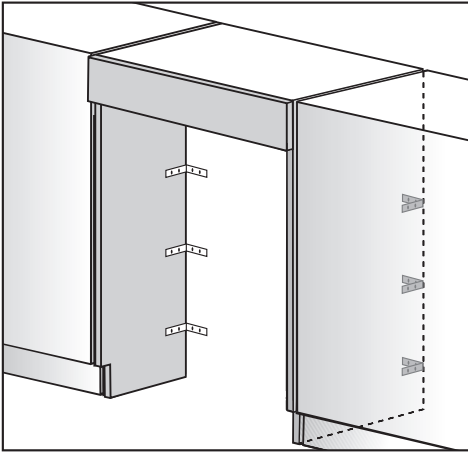
If the included anti-tip brackets cannot be secured in the niche, the built-in cabinet must be secured to the wall behind it with several screws. Only in this way can the appliance later secured in the built-in cabinet be prevented from tipping.

In a cabinet with a back wall



- screw the back wall of the cabinet in several places directly to the wall behind it. For this, use suitable plugs/screws depending on the type of wall.

In a cabinet without a back wall



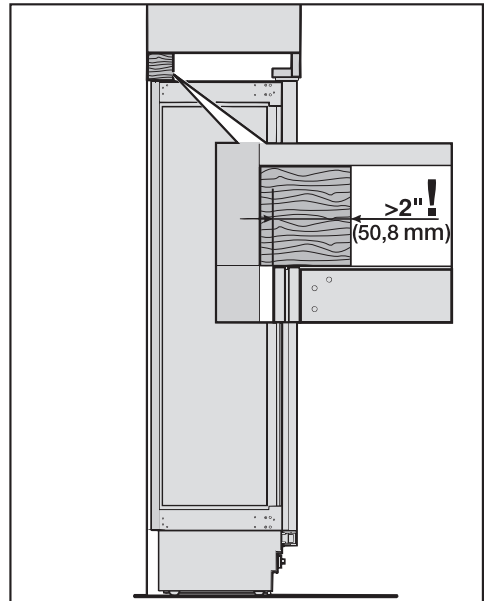
- screw the cabinet to the wall behind it in several places using suitable mounting brackets. For this, use suitable plugs/screws depending on the type of wall.

Securing an alternative anti-tip device

If the anti-tip brackets cannot be attached securely, an alternative anti-tip device can be used.

Ensure that there is no "give" between the appliance and the anti-tip device.

If possible, always screw the wooden beam to existing studs.



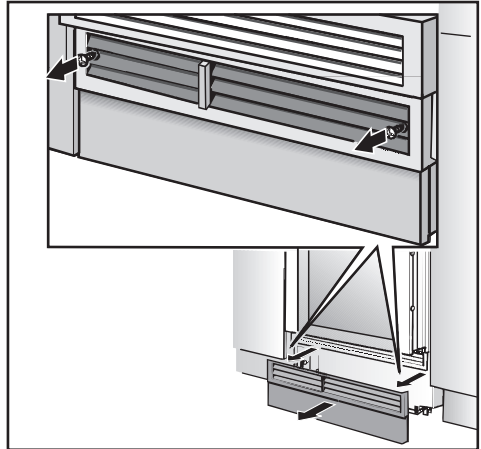
- Cut a wooden beam (cross section min. 3" x 4" [75 mm x 100 mm]) to the required length.
- The length is equal to the width of the installation niche.
- If the installation cavity is deeper than the appliance, select a beam which has a larger cross section, or attach two beams.

Installation

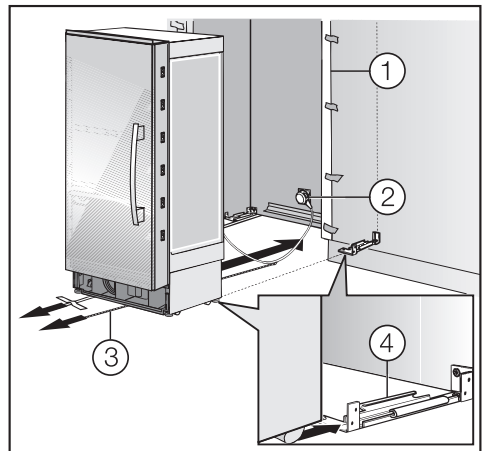
- The beam must cover the appliance by at least 2" (50.8 mm).
- Mark the installation height (lower edge of the beam) on the rear wall of the niche.
- Select screws according to the thickness of the wooden beam. Example: 3 1/2" (89 mm) screw for 2x4 beam.
- Determine the number of screws based on the cavity width, to ensure that the beam will be attached securely.
- Locate wall studs near the rear wall of the cavity and mark drill holes in the beam.
- Pre-drill the wooden beam.
- Attach the wooden beam to the rear wall of the niche.

Sliding the appliance into the installation niche

If a side-by-side installation is desired, connect the two appliances together. See the Installation Manual included with the "Merging Kit".



- Unscrew the plinth.



- To protect the corners of the installation space, attach the supplied edge protector ① on both sides with adhesive tape.

- Plug the appliance into the power outlet ②.

The plug of the appliance should be easily accessible after installation. If the plug is not accessible after the appliance has been installed, disconnection from the power supply should be completed via the circuit breaker.

In the case of side-by-side installations, a separate outlet must be used for each appliance.

- To prevent the power cord from becoming caught:
Tie a piece of string to the middle of the power cord and feed it forward under the appliance. When sliding the appliance in, pull the cable forward ③.

- Carefully slide the appliance into the space until the height-adjustable wheels interlock with the anti-tip brackets ④.

If resistance is felt when attempting to slide the appliance into the installation niche - for example, because the floor is uneven,

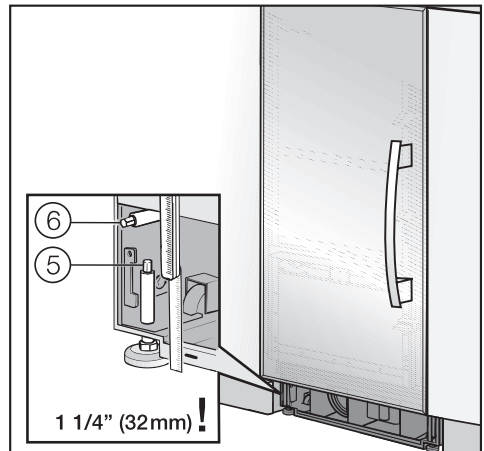
- Turn the rear adjustable wheels slightly outward (see "Aligning the appliance"), then push the appliance in.

Be careful not to damage the power cord attached to the floor.

- Remove the edge protector ①.

Aligning the appliance

- Align the appliance with the surrounding cabinets.



The height-adjustable feet at the front and rear can all be adjusted from the front:

- Front feet:
Adjust with a ratchet 5/16" (8 mm) ⑤
- Rear feet:
Adjust with a (cordless) screwdriver and/or a ratchet 5/16" (8 mm) for fine adjustment ⑥

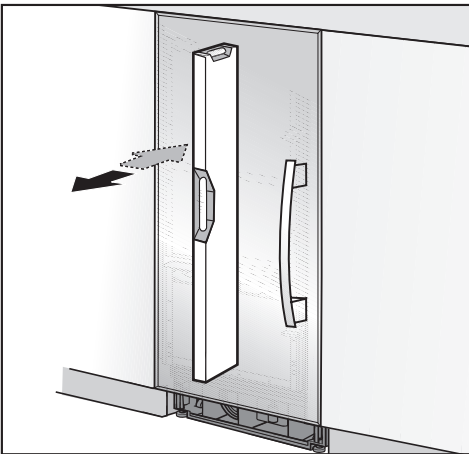
Important!
When unscrewing the height-adjustable feet, proceed gradually, alternating between left and right.

Installation

- Unscrew the height-adjustable feet until the mark on the base has reached the indicated guide dimension 1 1/4" (32 mm). The guide dimension of 1 1/4" (32 mm) is related to a niche height of 84" (2134 mm).

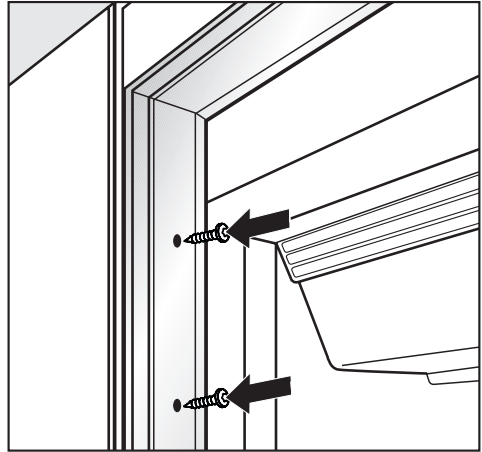
Important!

The height-adjustable feet can only be unscrewed as far as the mark 2 3/16" (62 mm) on the base (max. niche height of 85 3/16" (2164 mm)).



- Align the appliance again using a level.
- If using a wooden beam as an alternative anti-tip device, rotate the appliance all the way toward the wooden beam.

Attaching the appliance to the installation niche



- Open the appliance door.



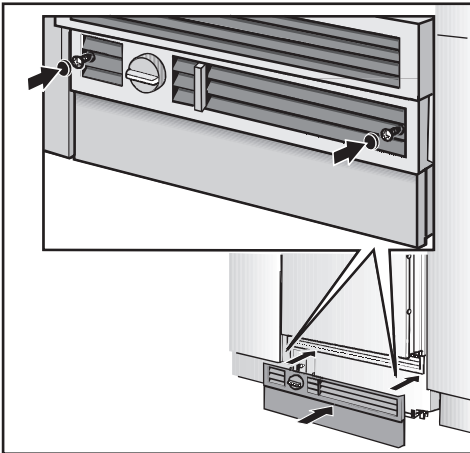
- Fasten the appliance on the left and right hand sides with the 3 (supplied) wood screws.

If there is a fairly large gap above the appliance, cut a wooden beam to fit exactly and place it in the gap.

Attaching the toe-kick cover

The maximum height of the toe-kick cover is 4" (102 mm) from the top of the floor. Do not cover ventilation slits in the plinth. Risk of damage to the appliance.

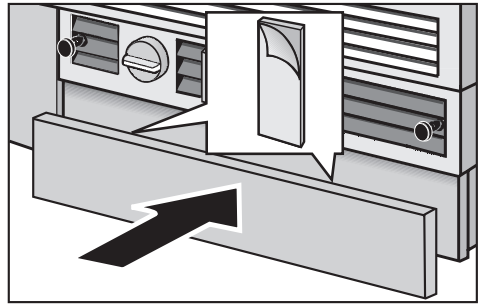
- If required, cut the toe-kick cover to the required length and height.



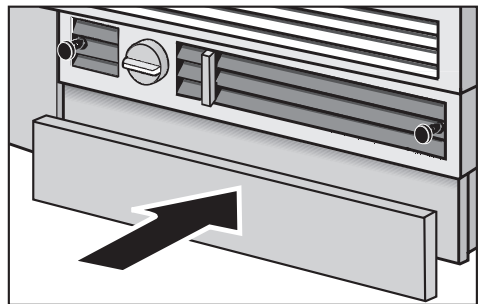
- Attach the plinth to the appliance.



- Put the included cover plates in place.



- Remove the foil from the adhesive strips.

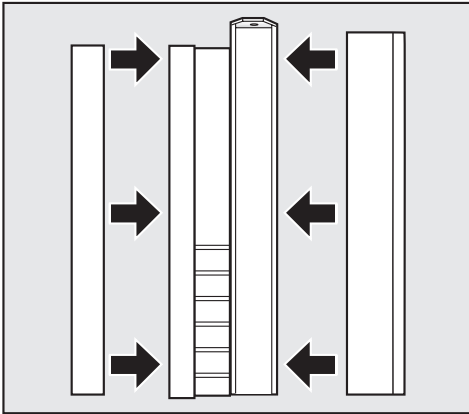


- Attach the toe-kick cover to the plinth.

Installation

Mounting the air separator

The air separator keeps the supply and exhaust air separate. This prevents warm exhaust air from flowing into the machine, optimizing the energy performance of the unit.

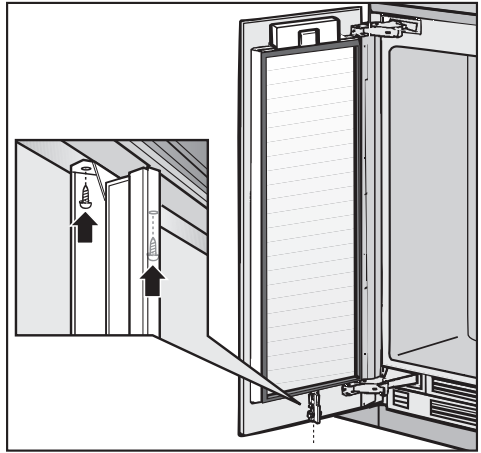


- If necessary, shorten the three parts of the air separator.




- Insert the foam pieces back into the sides.

- Position the air separator in the center of the appliance door.



- From below, screw the air separator firmly onto the door with the 2 screws.

 Avoid the risk of electrical shock

- Plug into a grounded 3-prong outlet.
- Do not move the ground plug.
- Do not use an adapter.
- Do not use an extension cord.

Failure to follow these instructions can result in death, fire, or electrical shock.

Improper connection of the equipment grounding conductor may result in electric shock. If you are in any doubt as to whether the appliance has been properly grounded, have the appliance checked by a qualified electrician or service technician.

Installation, repairs and other work by unqualified persons could be dangerous.

Before installing the appliance, verify that the voltage, load and circuit rating information found on the data plate match the household electrical supply.

The appliance is supplied with a UL-listed, 3-wire power cord and NEMA 5-15 P plug ready for connection to a 120 V, 60 Hz supply. The fuse rating is 15 amps.

The appliance requires a 3-wire receptacle.

The receptacle must be installed by a licensed electrician only.

In the case of side-by-side installations, a separate outlet must be used for each appliance. Ideally, the power outlet should be next to the appliance and easily accessible. Do not connect the appliance to the power supply by an extension cord. Extension cords do not guarantee the required safety of the appliance (danger of overheating).

If any changes are needed to the household wiring or power supply, this work must be performed by a qualified electrician.

If there are any questions regarding the electrical connection of this appliance to the power supply, please consult a licensed electrician or call the Miele Technical Service.

 1-800-999-1360

 1-800-565-6435

RemoteVision (optional accessory)

Miele's RemoteVision Wi-Fi technology creates a 'virtual link' between your appliance and our monitoring center. If a fault occurs, Miele's client service center will be notified and contact you, or another trusted individual identified on your call roster, in order to gain access to your appliance to fix the problem.

For information on set-up and installation of the RemoteVision module see the "Installation" section of this manual.

Be sure your wireless system meets the following requirements

- A wireless router that supports an IEEE 802.11b protocol
- Windows XP® or newer operating system, Mac® OS X 10.3 or higher
- Cable or DSL modem
- Microsoft® Internet Explorer 6 or higher, Safari 2.0 or higher, Firefox 1.5 or higher

* Please note that each wireless router manufacturer supplies their own device drivers and setup programs. Due to the differences in manufacturers, exact router setup instructions are not included in this manual. Wording and instructions may vary.

RemoteVision (optional accessory)

Accessing the RemoteVision control panel



- Touch the access button "⏻" so it turns yellow.
- Note the position of the ∨ button, but do not touch.
- Touch the access button "⏻" again so it turns white.

Only the access button "⏻" is visible.

- Place one finger on the position of the ∨ button and hold (the ∨ button will not be visible).
- While holding down the ∨ button, press the access button "⏻" once. Keep holding the ∨ button down until the following appears in the display (approx. 5 seconds).



Access to the Custom settings mode is now active for approximately 10 seconds.

- Tap the ∨ button until r appears in the display.
- Touch the access button "⏻" to confirm.

See the table on the following page for a description of each setting in the display.

- Use the ∧ or ∨ buttons to select the RemoteVision options.

The module has been connected to the network when $r \bar{E}$ appears in the display.

If $r \bar{E}$ does not appear, refer to the "Network options" section of the XKM 2000 Installation Instruction manual.

- Press and hold the access button "⏻" for 2 seconds to confirm the change.
- To return to the main menu, tap the ∨ button until a solid r - appears in the display.
- Press the access button "⏻" to confirm.
- Tap the ∨ button until a e appears in the display.
- Touch the access button "⏻".

You have left the Custom settings mode.

When you are in the Custom settings mode the door alarm is turned off automatically. Once the door is closed it is reactivated.

RemoteVision (optional accessory)

MasterCool control panel options for RemoteVision

| Status indicators | Description of function |
|---------------------|---|
| Flashing $r _$ | Module booting phase |
| Flashing $r \sim$ | Not connected to network |
| Flashing $r \equiv$ | Connection to network established, no IP address assigned |
| Solid $r \equiv$ | Connected to network |
| Flashing $r \equiv$ | In Ad-Hoc Mode, not connected |
| Flashing $r \equiv$ | In Ad-Hoc Mode, connected |

| Selectable options | Description of function |
|--------------------|---------------------------|
| $r _$ | Back |
| $r 2$ | Reboot the module |
| $r 3$ | Reset to factory settings |
| $r 4$ | Enter Ad-Hoc Mode |

Note: If you cannot select any option (other than $r _$ - "Back", the module has not been installed correctly.

**Please have the model and serial number
of your appliance available before
contacting Technical Service.**



**U.S.A.
Miele, Inc.**

National Headquarters

9 Independence Way
Princeton, NJ 08540
Phone: 800-843-7231
609-419-9898
Fax: 609-419-4298
www.mieleusa.com

**Technical Service & Support
Nationwide**

Phone: 800-999-1360
Fax: 888-586-8056

TechnicalService@mieleusa.com

**Canada
Miele Limited**

Headquarters and Showroom

161 Four Valley Drive
Vaughan, ON L4K 4V8
Phone: 800-643-5381
905-660-9936
Fax: 905-532-2290
www.miele.ca
professional@miele.ca
(commercial enquiries)

MieleCare National Service

Phone: 800-565-6435
905-532-2272
Fax: 905-532-2292
customercare@miele.ca
(general and technical enquiries)

Germany

Miele & Cie. KG
Carl-Miele-Straße 29
33332 Gütersloh

